

Spare parts list



E308, H708, H758, D308, D758



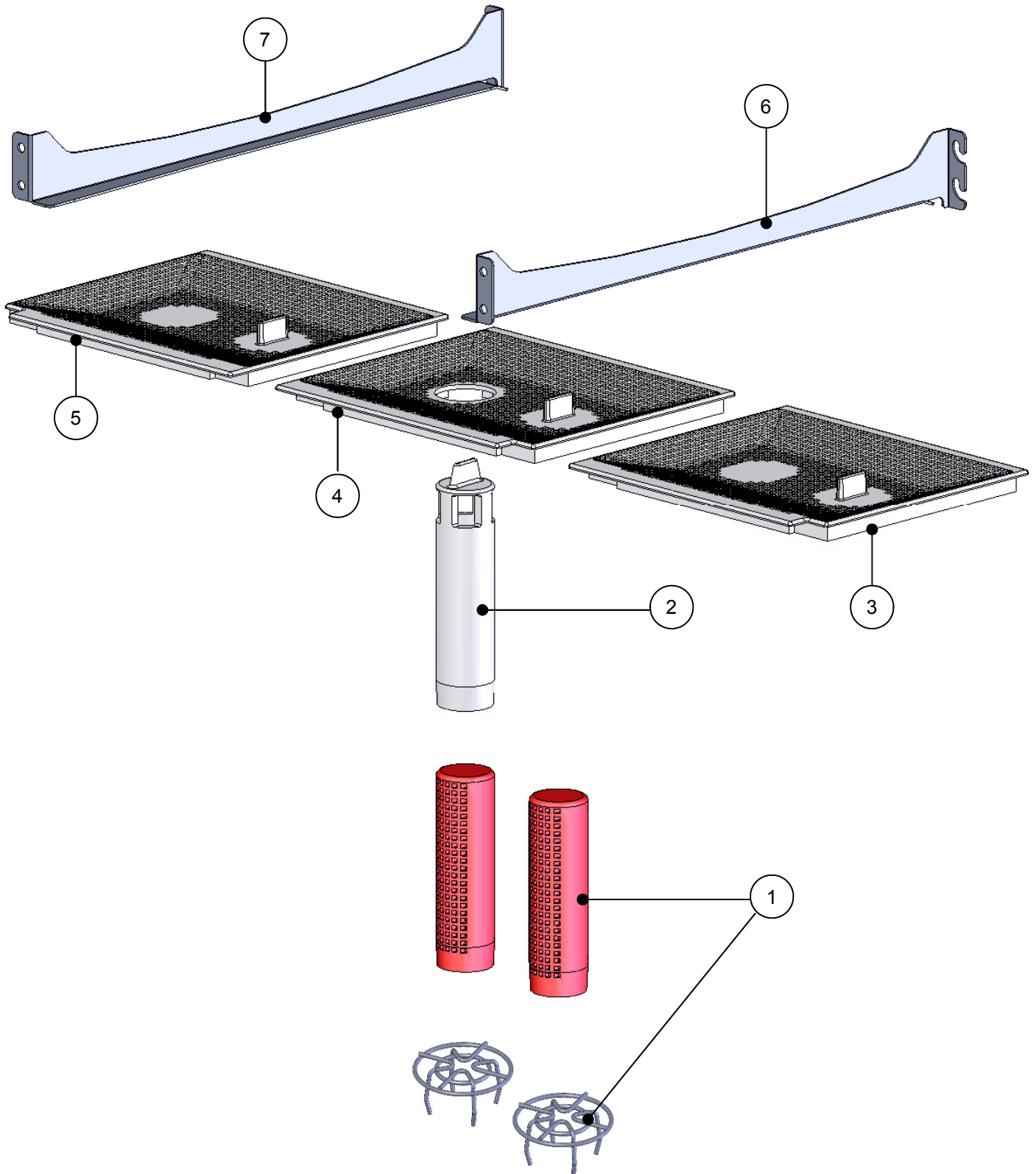
Contents

Machine assembly

→ Filter & Basket supports	2 - 3
→ Wash tank	4 - 7
→ Air break assembly	8 - 9
→ Thermostat bracket assembly	10 - 11
→ Rinse & Wash system	12 - 13
→ Centre boss	14 - 15
→ Rinse arm assembly	16 - 17
→ Base assembly (Eco & Hydro)	18 - 19
→ Base assembly (Duo)	20 - 21
→ Rinse boiler	22 - 23
→ Wash pump assembly - 0.74kW	24 - 25
→ Rinse pump assembly - 0.27kW	26 - 27
→ Drain pump kit	28 - 29
→ Chemical Pump Assembly	30 - 33
→ Gravity drain kit	34 - 35
→ Component tray	36 - 357
→ Panel kit	38 - 39
→ Packing kit	40



Filters & Basket supports

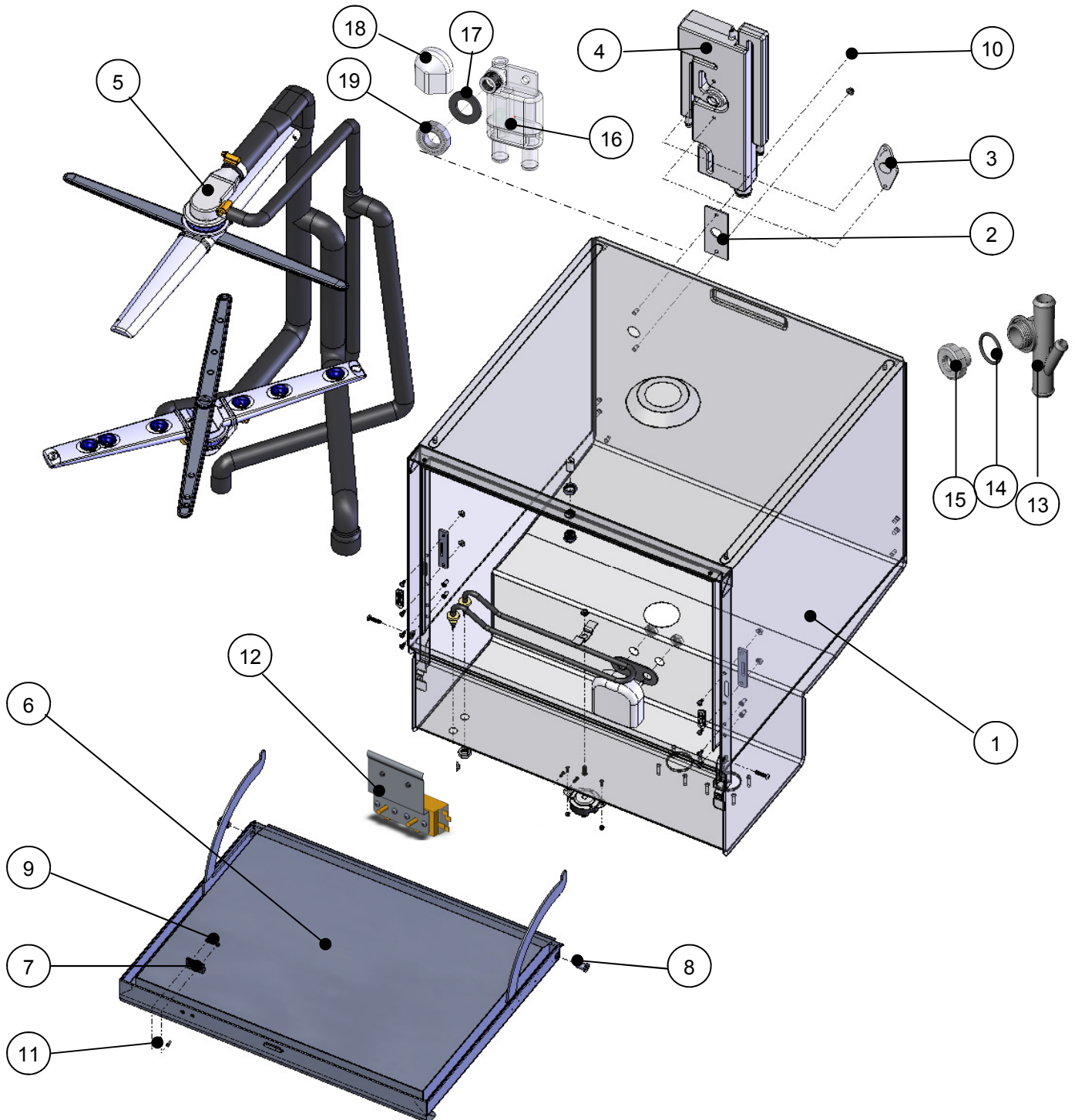


Filters & Basket supports

Item	Description	Part no.	Qty	Note
1	Secondary filter (plastic)	231.0001	2	Only 1 required on gravity drain machines
	Secondary filter (metal)	180.0001		
2	Drain plug	232.0001	1	Only on gravity drain machines
3	Wash filter RH - 500mm Pumped	230.0005	1	Only on drain pump machines
4	Wash filter RH - 500mm Gravity	230.0004	1	Only on gravity drain machines
5	Wash filter LH - 500mm	230.0006	1	
6	Basket ramp - 500mm RH	115.0003	1	
7	Basket ramp - 500mm LH	115.0004	1	

Wash tank assembly

Machine type	Assembly description	Assembly part no.
Eco 3, Hydro 700 & Hydro 750	Wash tank assembly	011.0004
Duo 3 & Duo 750	Wash tank assembly	011.0008

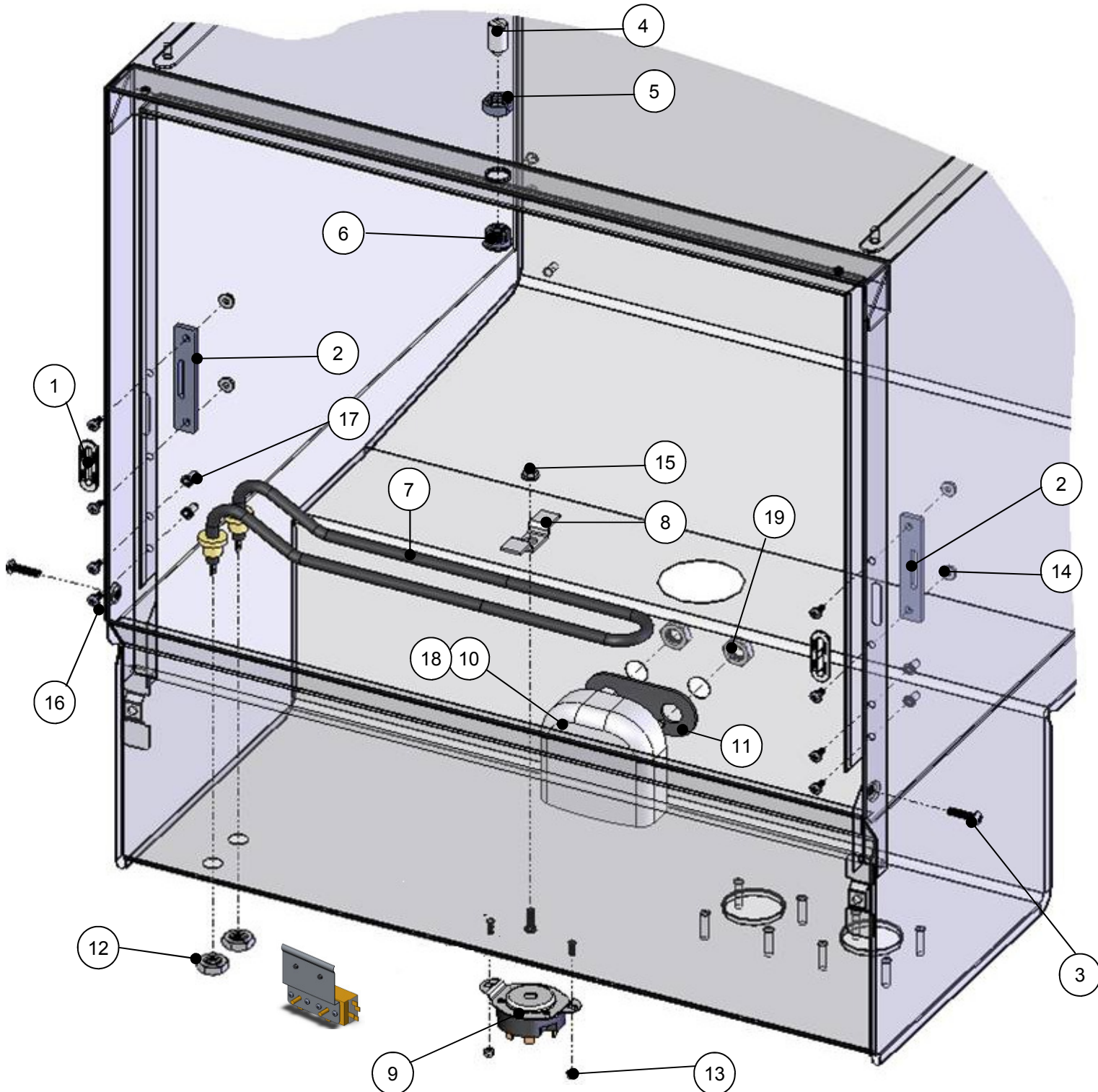


Wash tank assembly

Item	Description	Part no.	Qty	Note
1	Wash cabinet	110.0002	1	
2	Seal - Air break	301.0002	1	Only 1 on Type B air break machines
3	20mm Blanking cover	255.0001	1	Only 1 on all air break machines
4	Air break (WRAS approved)	020.0001	1	Only on Duo3 & Duo750
	Air break (without overflow)	020.0002	1	Only on none UK Duo3 & Duo750
5	Rinse & Wash system - 500mm	021.0004	1	
6	Door	111.0002	1	
7	Magnet - Door switch	571.0001	1	
8	Door pivot pin	100.0002	2	
9	M3 nut - Flange	FNUT-03	2	
10	M5 nut - Flange	FNUT-05	2	
11	M3 x 8mm long Pan head Pozi screw	SC101	2	
12	Thermostat bracket assembly	164.0009	1	
13	Drain Air Brake	60003586	1	See page 28 - 29, item 11 Only required on drain pump machines
14	Drain Air Brake Seal	2707066	1	Only on drain pump machines
15	Drain Air Brake Nut	60003587	1	See page 28 - 29, item 9 Only on drain pump machines
16	Air break - Type B	60000913	1	Only on Eco 1, Eco 2 & Hydro 500 second seal & cover only required on gravity drain machine
17	Seal	7.11.3	1	
18	Cover - Air break	61004430	1	
19	Nut - Air break	61004451	1	

Wash tank assembly

Machine type	Assembly description	Assembly part no.
Eco 3, Hydro 700 & Hydro 750	Wash tank assembly	011.0004
Duo 3 & Duo 750	Wash tank assembly	011.0008

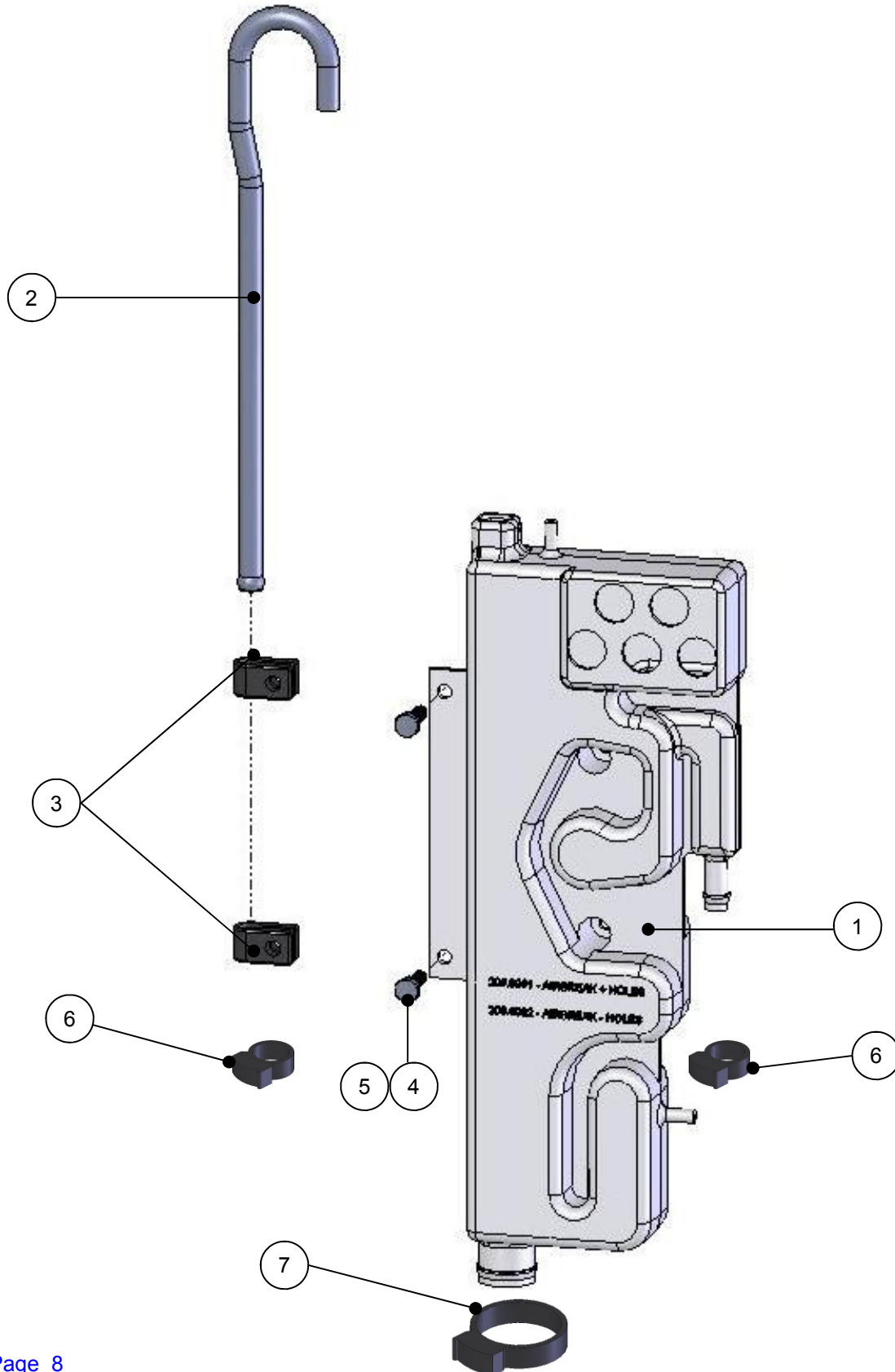


Wash tank assembly

Item	Description	Part no.	Qty	Note
1	Door inlay	256.0001	2	
2	Plate - Door stop	102.0002	2	
3	M6 x 12mm long—Button head screw	SC100	2	
4	Ball catch (M10)	320.0001	1	
5	Ball catch housing	100.0008	1	
6	Ball catch housing nut	100.0007	1	
7	Wash element - 1 x 2,000 watt	555.0001	1	
7	Wash element - 1 x 1,300 watt	555.0001	1	
7	Wash element - 1 x 2,880 watt (UL)	555.0001	1	Only to be fitted on 45 amp units (USA)
8	Bracket - Wash element clamp	7.6.6/22-2	1	
9	85°C - Thermal switch - 3 pole manual	540.0003	1	
10	Air pressure vessel	260.0001	1	
11	Seal - Air pressure vessel	301.0001	1	
12	M12 Thin nut	TNUT-12	2	
13	M3 nut - Flange	FNUT-03	2	
14	M4 nut - Flange	FNUT-04	4	
15	M5 nut - Flange	FNUT-05	1	
16	M4 x 8mm long Pan head screw	SC006	8	
17	Support - Basket ramp	100.0009	4	
18	PVC hose - Ø3mm	RT2	1.28	Quantity in metres (not shown)
19	M12 Plastic nut	PNUT-12	2	

Air break tank assembly

Machine type	Assembly description	Assembly part no.
Duo2 & Duo500	Air break (WRAS approved)	020.0001
None UK, Duo2 & Duo500	Air break (without overflow)	020.0002

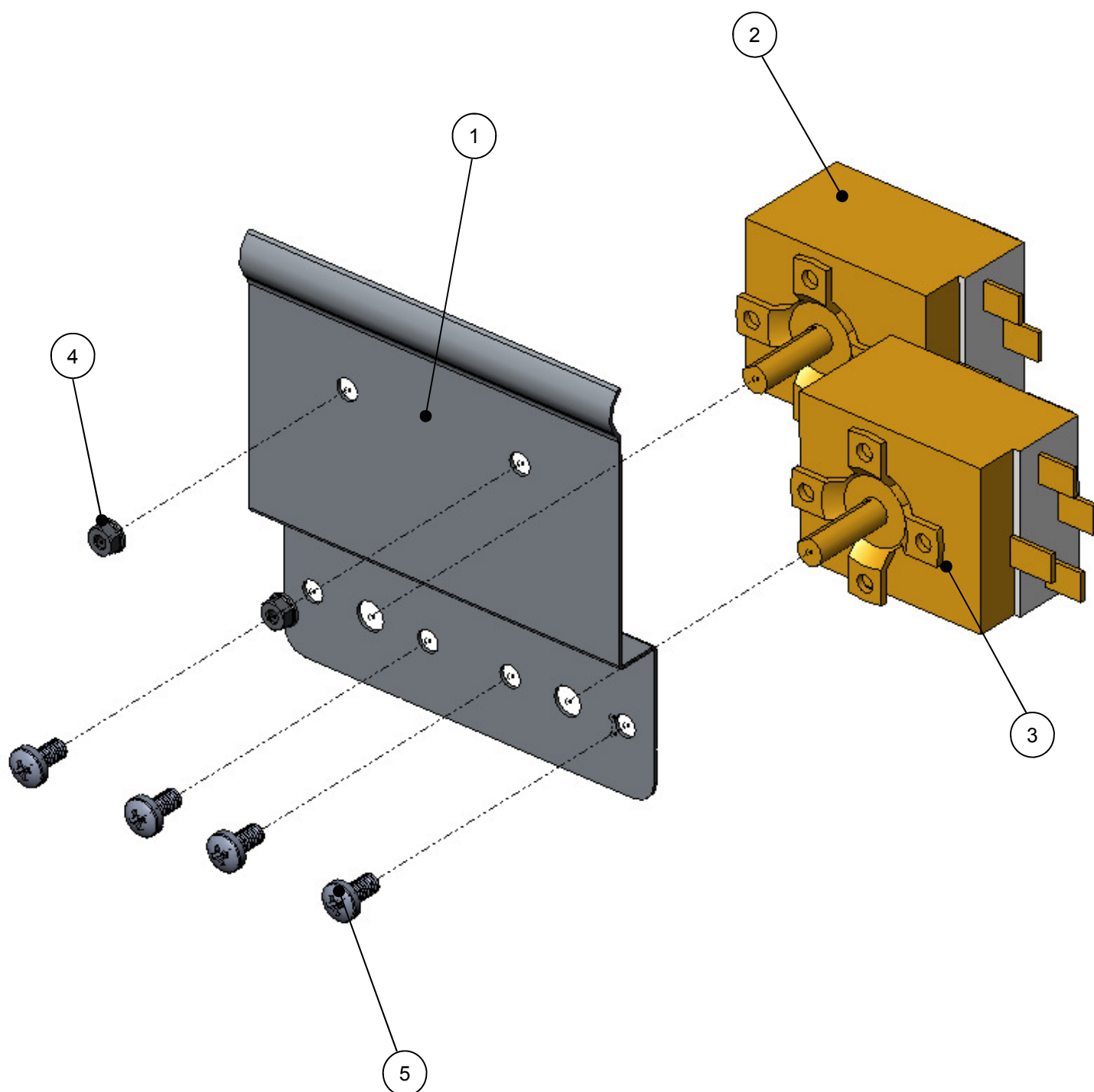


Air break tank assembly

Item	Description	Part no.	Qty	Note
1	Air break (WRAS approved)	200.0001	1	
	Air break (without overflow)	200.0002	1	
2	Air break feeder tube	190.0001	1	
3	Cable cleat	331.0001	2	
4	M6 x 15mm long Hex head screw	SC029	2	
5	M6 flange nut	FNUT-06	2	
6	Clip (small)	7.4.12/10	2	
7	Clip (large)	7.4.12/12	1	

Thermostat bracket assembly

Machine type	Assembly description	Assembly part no.
All	Thermostat Bracket Assembly	164.0009



Eco3, Hydro700, Hydro 750, Duo3 and Duo750

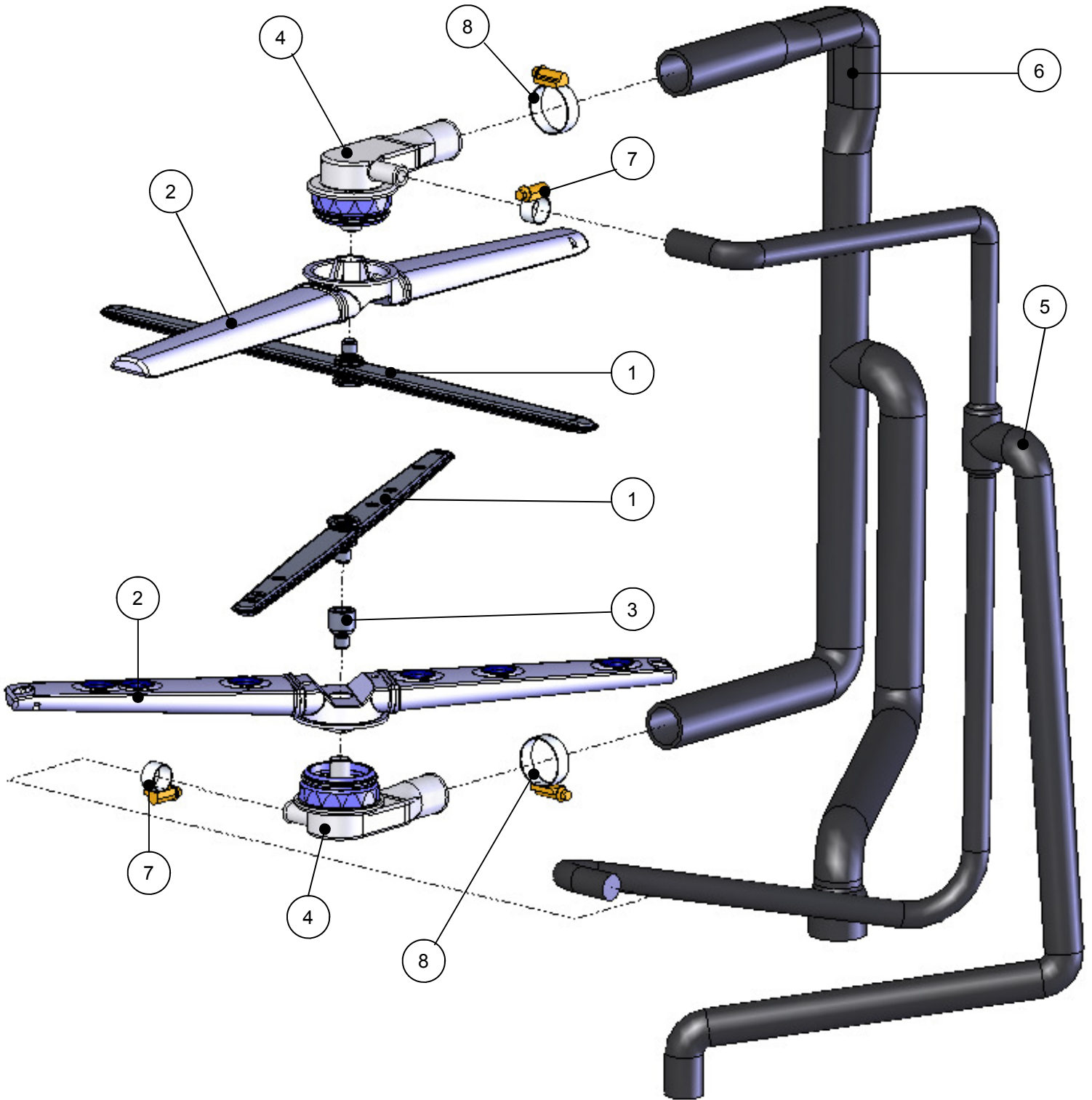


Thermostat bracket assembly

Item	Description	Part no.	Qty	Note
1	Thermostat Bracket	164.0009	1	
2	Rinse Thermostat	542.0002	1	
3	Wash Thermostat	542.0002	1	
4	M3 Nut - Flange	FNUT-03	2	
5	M4 x 6 Pozi screws	SC040	4	

Rinse & Wash system

Machine type	Assembly description	Assembly part no.
All models	Rinse and Wash system	021.0004

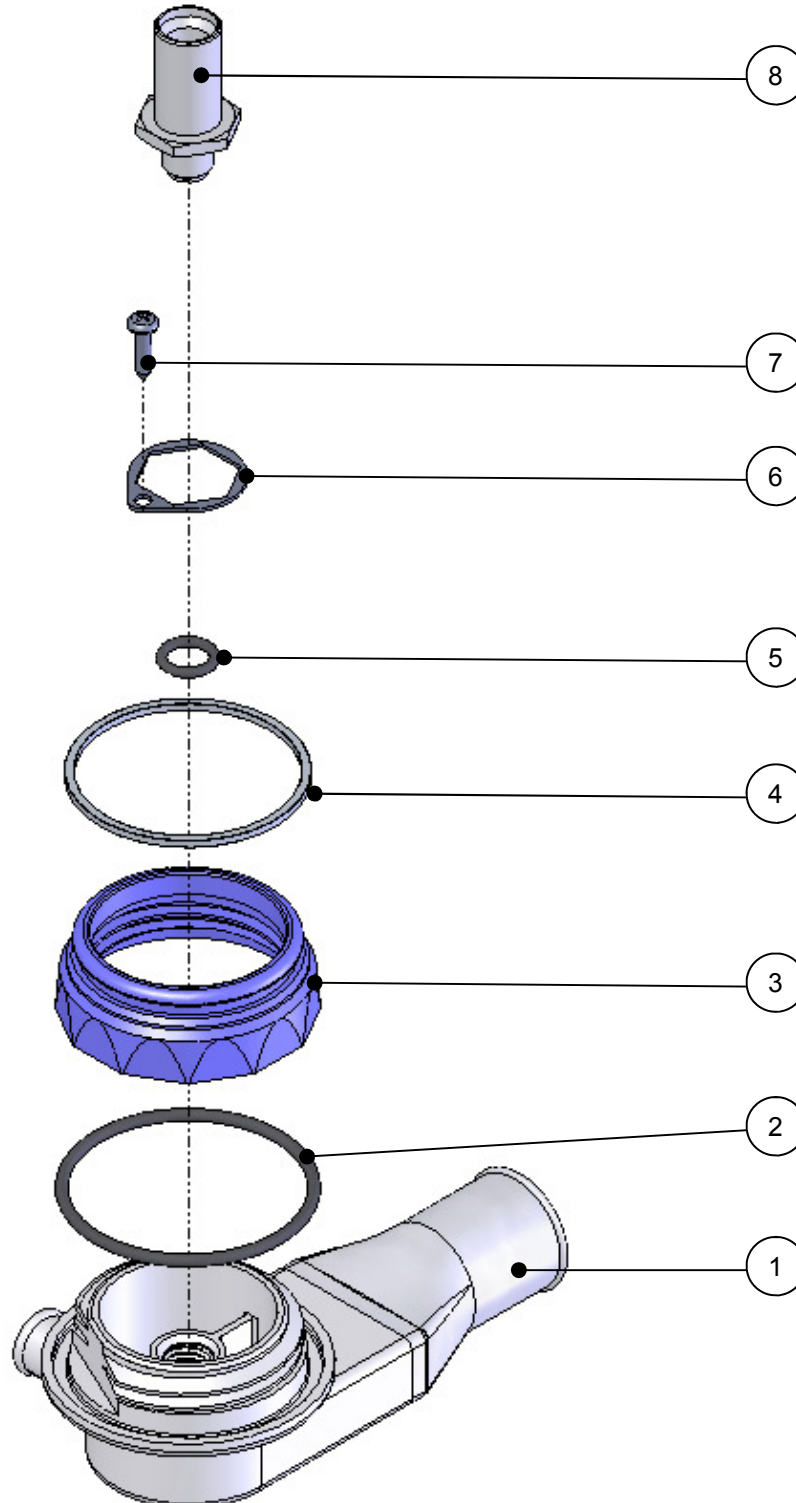


Rinse & Wash system

Item	Description	Part no.	Qty	Note
1	Rinse arm assembly - 500mm	022.0002	2	
2	Wash arm - 500mm	60004171	2	
3	Rinse extension screw	100.0005	1	
4	Centre boss assembly	021.0005	2	
5	Hose - Rinse system - 500mm	404.0002	1	
6	Hose - Wash pump outlet - 500mm	406.0003	1	
7	Jubilee clip - Ø12mm to Ø22mm	JCLIP-012-022	2	
8	Jubilee clip - Ø25mm to Ø40mm	JCLIP-025-040	2	

Centre boss assembly

Machine type	Assembly description	Assembly part no.
All models	Centre boss	021.0005

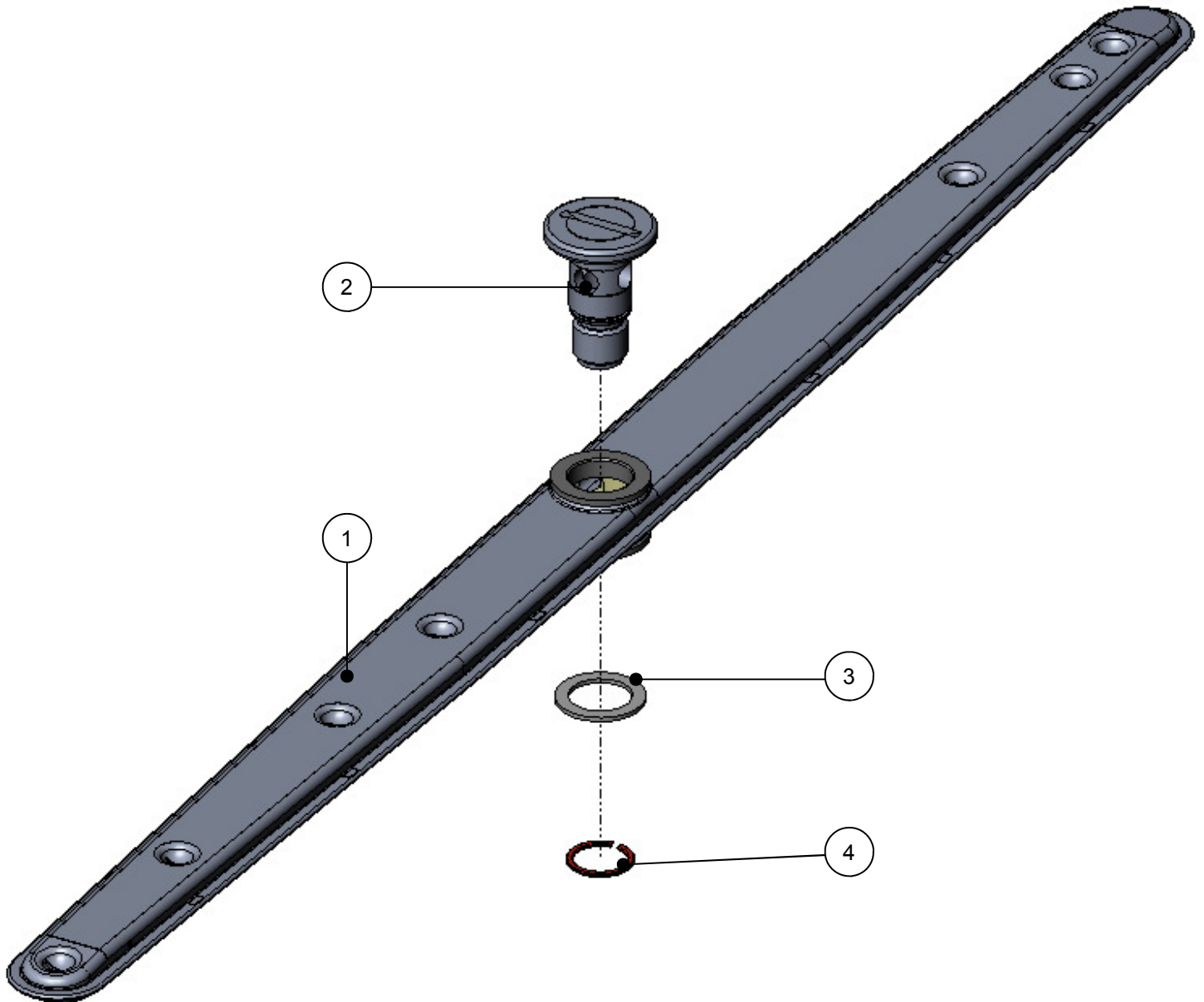


Centre boss assembly

Item	Description	Part no.	Qty	Note
1	Centre boss (bottom)	60004157	1	
2	O ring - Ø3mm x Ø56mm	300.3056	1	
3	Lock nut	60003005	1	
4	Seal	60003021	1	Only for dishwashers
5	O ring - Ø2.5mm x Ø10mm	300.2510	1	
6	Fixing plate	61006076	1	
7	M3 x 16mm Long - Self tapping screw	20 20 305	1	
8	Rinse arm spindle	60002987	1	

Rinse arm assembly - Bottom

Machine type	Assembly description	Assembly part no.
All models	Rinse arm assembly - Bottom	022.0002



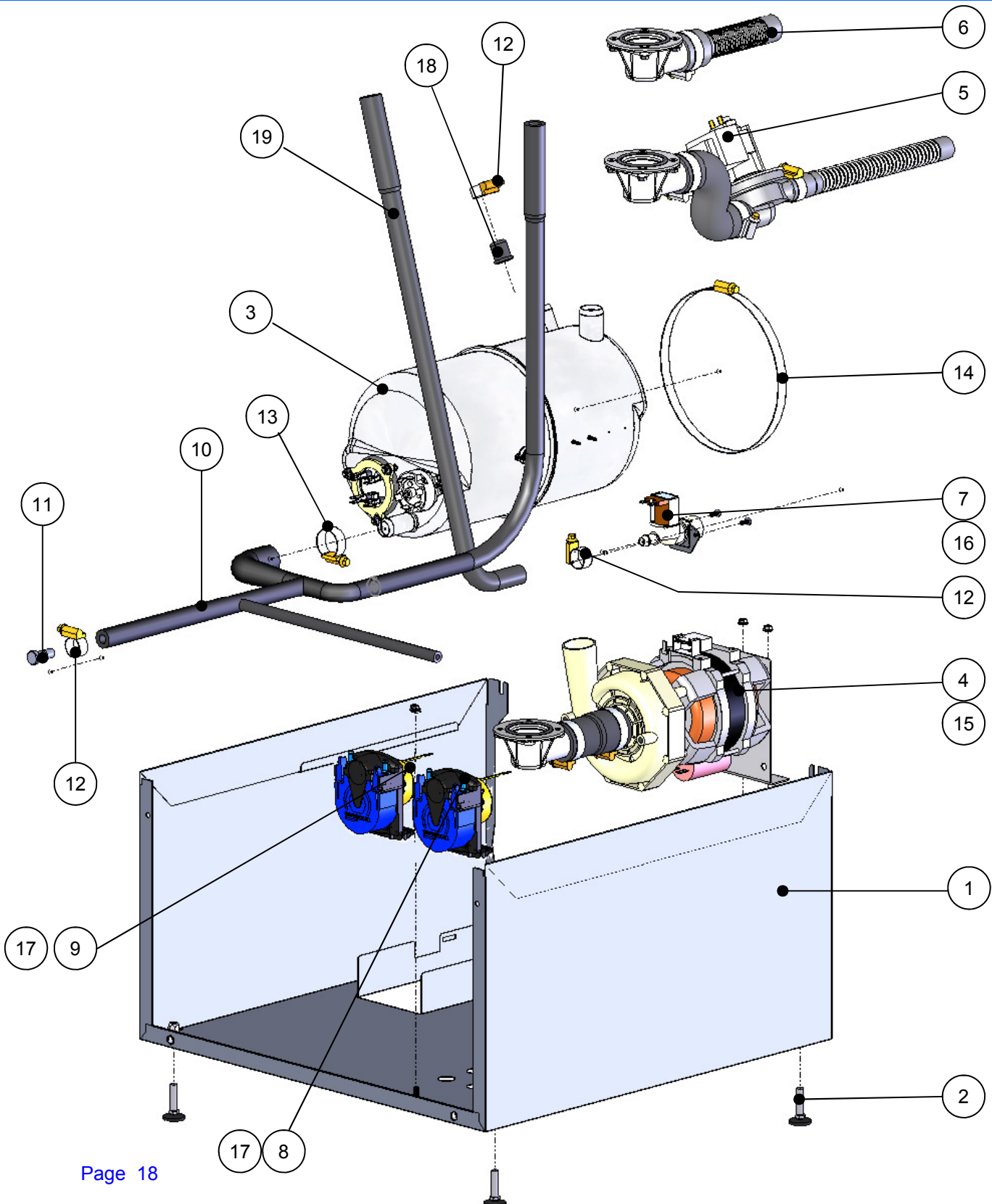


Rinse arm assembly - Bottom

Item	Description	Part no.	Qty	Note
1	Rinse arm - 500mm	60003948	1	
2	Rinse arm screw	60004124	1	
3	Washer	60003487	1	
4	Locking ring	60003023	1	

Base assembly (Eco & Hydro)

Machine type	Assembly description	Assembly part no.
Eco 3	Base assy. - 7.5 litre x 2kW x 70°C - Pressurised tank - Gravity drain	012.0003
Hydro 700	Base assy. - 7.5 litre x 2kW x 80°C - Pressurised tank - Gravity drain	012.0004
Hydro 750	Base assy. - 7.5 litre x 6kW x 70°C - Pressurised tank - Gravity drain	012.0005

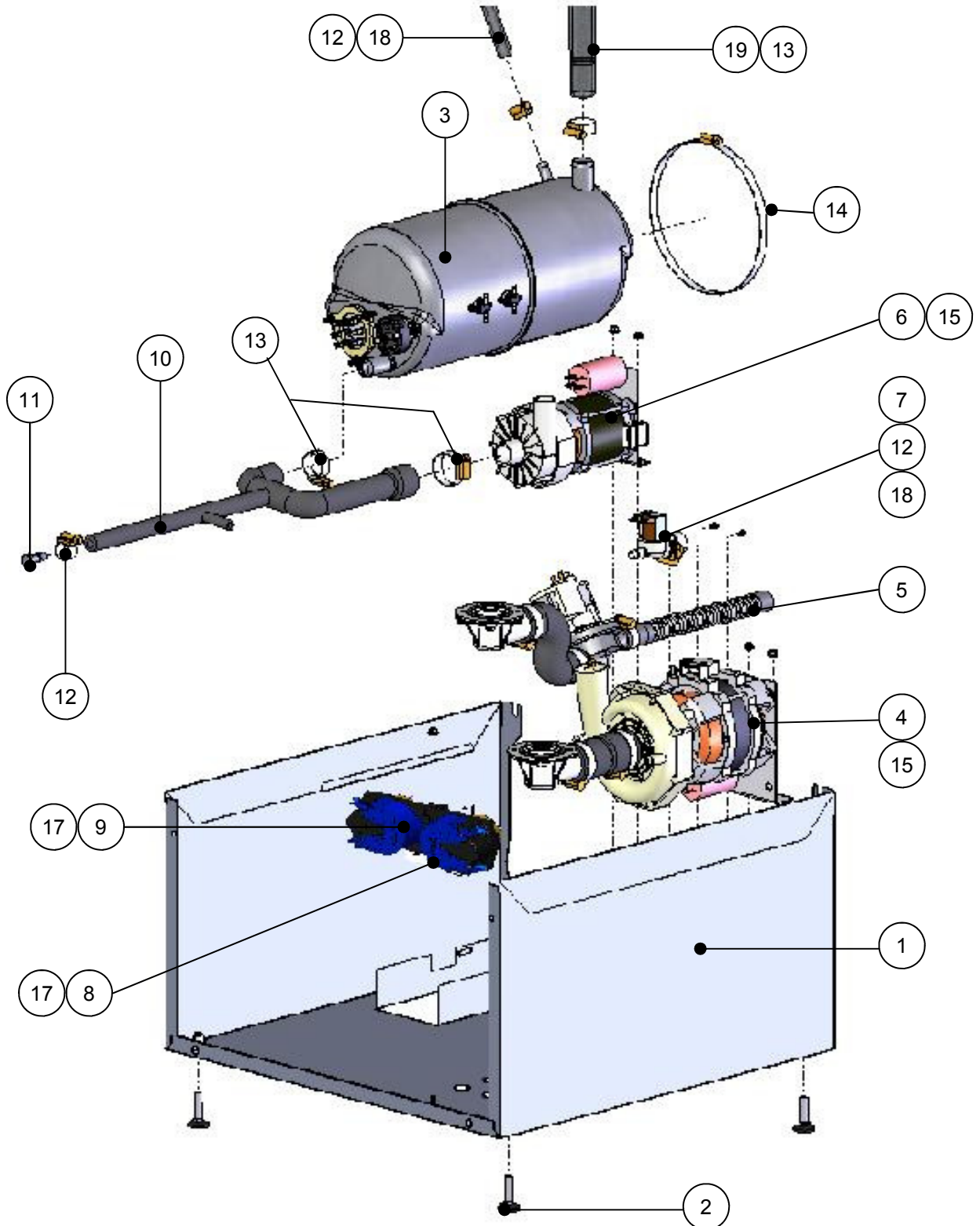


Base assembly (Eco & Hydro)

Item	Description	Part no.	Qty	Note
1	Machine base - 500mm	120.0002	1	
2	M8 x 40 Adjuster foot	310.0001	4	
3	Rinse boiler - 7.5 litre x 6 kW	013.0004	1	Only for Eco 3
	Rinse boiler - 7.5 litre x 2 kW	013.0004		Only for Hydro 700
	Rinse boiler - 7.5 litre x 6 kW	013.0005		Only for Hydro 750
4	Wash pump assembly - 0.74 kW	052.2202	1	
5	Drain pump kit	052.2407	1	Only for drain pump machines
6	Gravity drain kit	052.2401	1	Only for gravity drain machines
7	Inlet solenoid valve	7.12.12/1	1	
8	Detergent pump	526.0008	1	
9	Rinse Aid pump	526.0007	1	
10	Hose - Inlet valve - Rinse boiler	401.0001	1	On machines without type B air break, this hose goes direct to the inlet solenoid valve
11	Drain plug - Rinse tank	100.0003	1	
12	Jubilee clip - Ø12mm to Ø22mm	JCLIP-012-022	3	
13	Jubilee clip - Ø20mm to Ø32mm	JCLIP-020-032	1	
14	Jubilee clip - Ø160mm to Ø200mm	JCLIP-160-200	1	
15	M5 nut - Flange	FNUT-05	3	
16	M3 x 10mm long - Pan head screw	SC006	2	
17	PVC hose - Ø3mm	RT2	4	Quantity in metres (not shown)
18	End cap	410.0002	1	
19	Hose—Inlet solenoid to type B air break	401.0004	1	Only required on type B air break machines

Base assembly (Duo)

Machine type	Assembly description	Assembly part no.
Duo 3	Base assembly	012.0008
Duo 750	Base assembly	012.0009

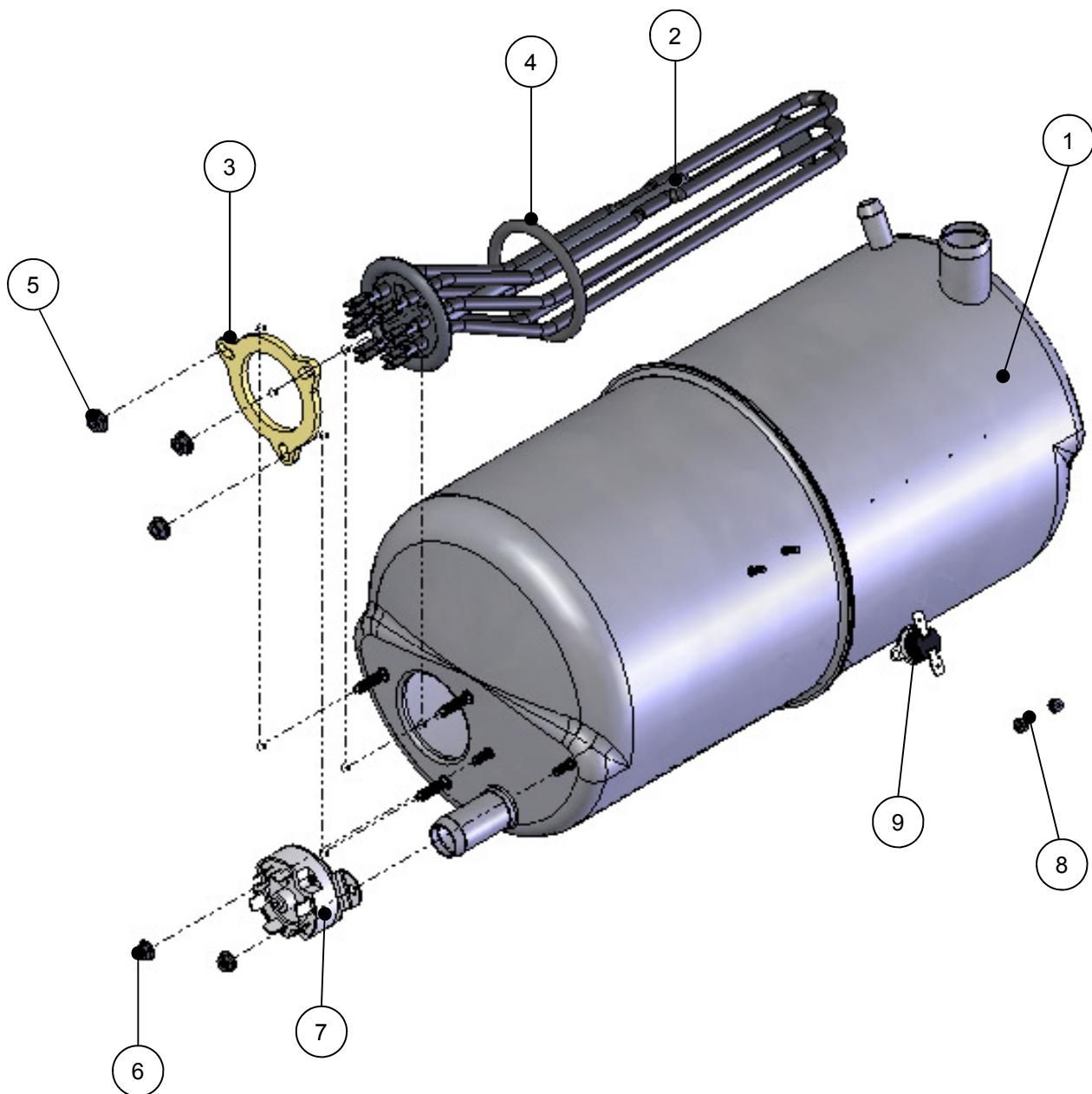


Base assembly (Duo)

Item	Description	Part no.	Qty	Note
1	Machine base - 500mm	120.0002	1	
2	M8 x 40 Adjuster foot	310.0001	4	
3	Rinse boiler - 7.5 litre x 6 kW	013.0004	1	Only for Duo3
	Rinse boiler - 7.5 litre x 6 kW	013.0005		Only for Duo 750
4	Wash pump assembly - 0.74 kW	052.2202	1	
5	Drain pump kit	052.2407	1	
6	Rinse pump assembly - 0.27 kW	052.2002	1	
7	Inlet solenoid valve	7.12.12/1	1	
8	Detergent pump	526.0008	1	
9	Rinse Aid pump	526.0007	1	
10	Hose - Rinse boiler - Rinse pump	403.0002	1	
11	Drain plug - Rinse tank	100.0003	1	
12	Jubilee clip - Ø12mm to Ø22mm	JCLIP-012-022	3	
13	Jubilee clip - Ø20mm to Ø32mm	JCLIP-020-032	3	
14	Jubilee clip - Ø160mm to Ø200mm	JCLIP-160-200	1	
15	M5 nut - Flange	FNUT-05	5	
16	M3 x 10mm long - Pan head screw	SC006	2	
17	PVC hose - Ø3mm	RT2	4	Quantity in metres (not shown)
18	Silicon Hose - Ø9.5mm	H-09S	0.4	Quantity in metres
19	Silicon Hose - Ø23mm	H-23S	0.24	Quantity in metres

Rinse boiler

Machine type	Assembly description	Assembly part no.
-	Rinse boiler assembly - 7.5litres x 70°c x 2,000 watts	-
Eco 3 & Duo3	Rinse boiler assembly - 7.5litres x 70°c x 6,000 watts	013.0003
Hydro700	Rinse boiler assembly - 7.5litres x 80°c x 2,000 watts	013.0004
Hydro750 & Duo750	Rinse boiler assembly - 7.5litres x 80°c x 6,000 watts	013.0005

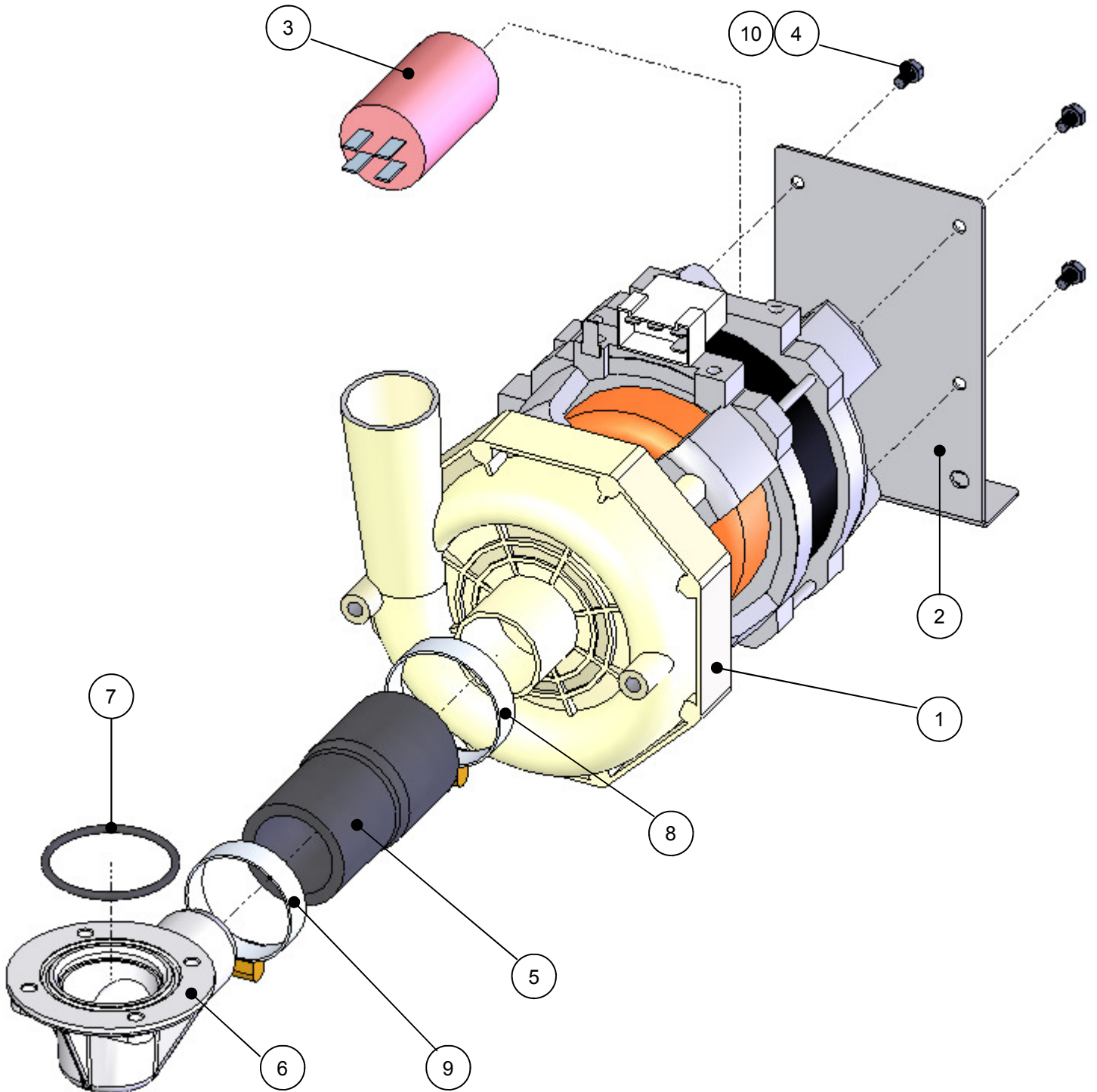


Rinse boiler

Item	Description	Part no.	Qty	Note
1	Rinse boiler - 7.5 litres	130.0003	1	
2	Rinse element - 3 x 2,000 watt	550.0001	1	Only to be fitted on 30 amp units
	Rinse element - 1 x 2,000 watt	550.0002		Only to be fitted on 13 amp units
	Rinse element - 2 x 1,300 watt	550.0003		Only to be fitted on 15 amp units
	Rinse element - 3 x 2,880 watt (UL)	550.0004		Only to be fitted on 45 amp units (USA)
	Rinse element - 3 x 2,000 watt (UL)	550.0005		Only to be fitted on 30 amp units (USA)
	Rinse element - 1 x 2,000 watt (UL)	550.0006		Only to be fitted on 16 amp units (USA)
3	Bracket - Rinse element	600010934	1	
4	O-ring seal - Ø6mm x Ø47mm	300.6047	1	
5	M5 nut - Flange	FNUT-05	3	
6	M4 nut - Flange	FNUT - 04	2	
7	Manual reset thermal trip switch - 3 pole - 105°C (normally closed)	540.0002	1	
8	M3 nut - Flange	FNUT-03	2	
9	Auto reset thermal trip switch - 1 pole - 55°C (normally open)	541.0002	1	

Wash pump assembly - 0.74kW

Machine type	Assembly description	Assembly part no.
All models	Wash pump assembly - 0.74kW (50Hz)	052.2202

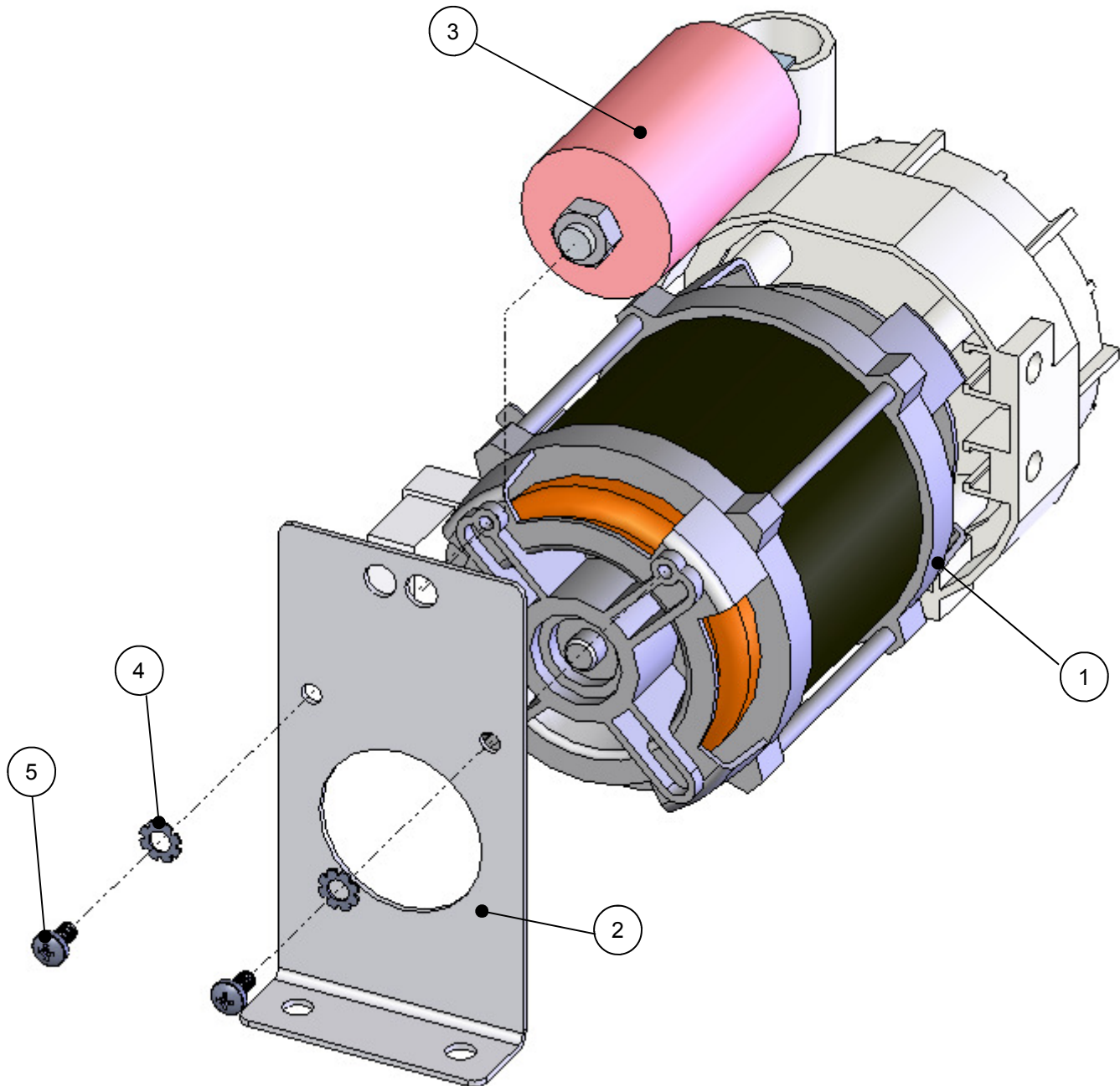


Wash pump assembly - 0.74kW

Item	Description	Part no.	Qty	Note
1	Wash pump - 0.74 kW (50Hz)	522.0002	1	Only fitted to 50Hz units
	Wash pump - 0.74 kW (60Hz)	9.6.0/BX1		Only fitted to 60Hz units (USA)
2	Bracket - Pump 0.74 kW	160.0005	1	
3	Capacitor - 10 μ F	529.0003	1	
4	M5 x 8mm long - Hex screw	SC011	4	
5	Hose - Wash pump inlet	405.0001	1	
6	Wash & waste outlet	240.0002	1	
7	O-ring seal - \varnothing 3mm x \varnothing 47mm	300.3047	1	
8	Jubilee clip - \varnothing 35mm to \varnothing 50mm	JCLIP-035-050	1	
9	Jubilee clip - \varnothing 30mm to \varnothing 45mm	JCLIP-030-045	1	
10	M5 star washer	W014	4	Not shown

Rinse pump assembly - 0.27kW

Machine type	Assembly description	Assembly part no.
Duo 3 & Duo 750	Rinse pump assembly - 0.27kW (50Hz)	052.2002



Duo3 and Duo750

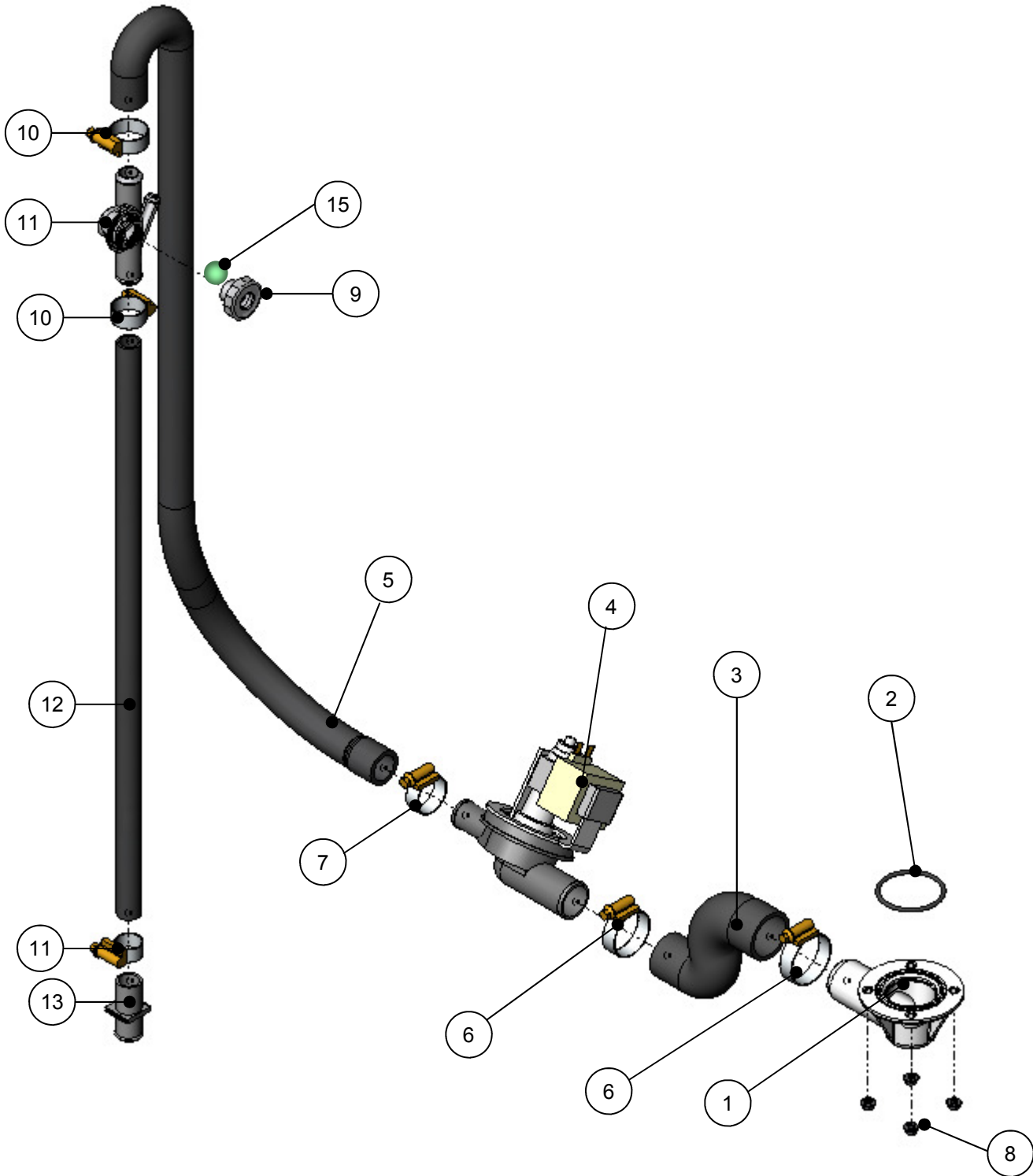


Rinse pump assembly - 0.27kW

Item	Description	Part no.	Qty	Note
1	Rinse pump - 0.27 kW (50Hz)	520.0002	1	Only fitted to 50Hz units
	Rinse pump - 0.27 kW (50Hz)	9.7.0/BX1		Only fitted to 60Hz units (USA)
2	Bracket - Pump 0.27 kW	160.0006	1	
3	Capacitor - 5 μ F	529.0001	1	
4	M5 Star washer	W014	2	
5	M5 x 8mm long - Hex screw	SC011	2	

Drain pump kit

Machine type	Assembly description	Assembly part no.
All models	Drain pump kit	052.2407

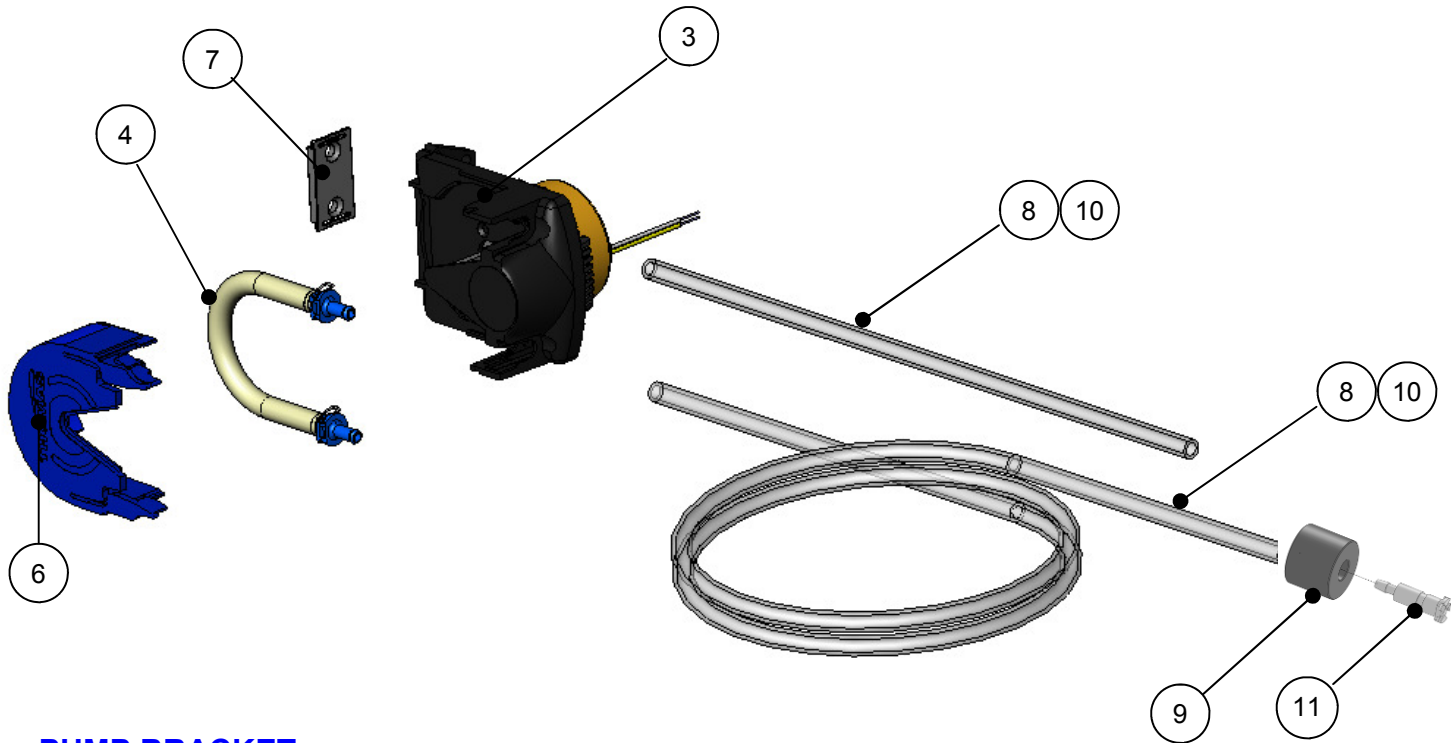


Drain pump kit

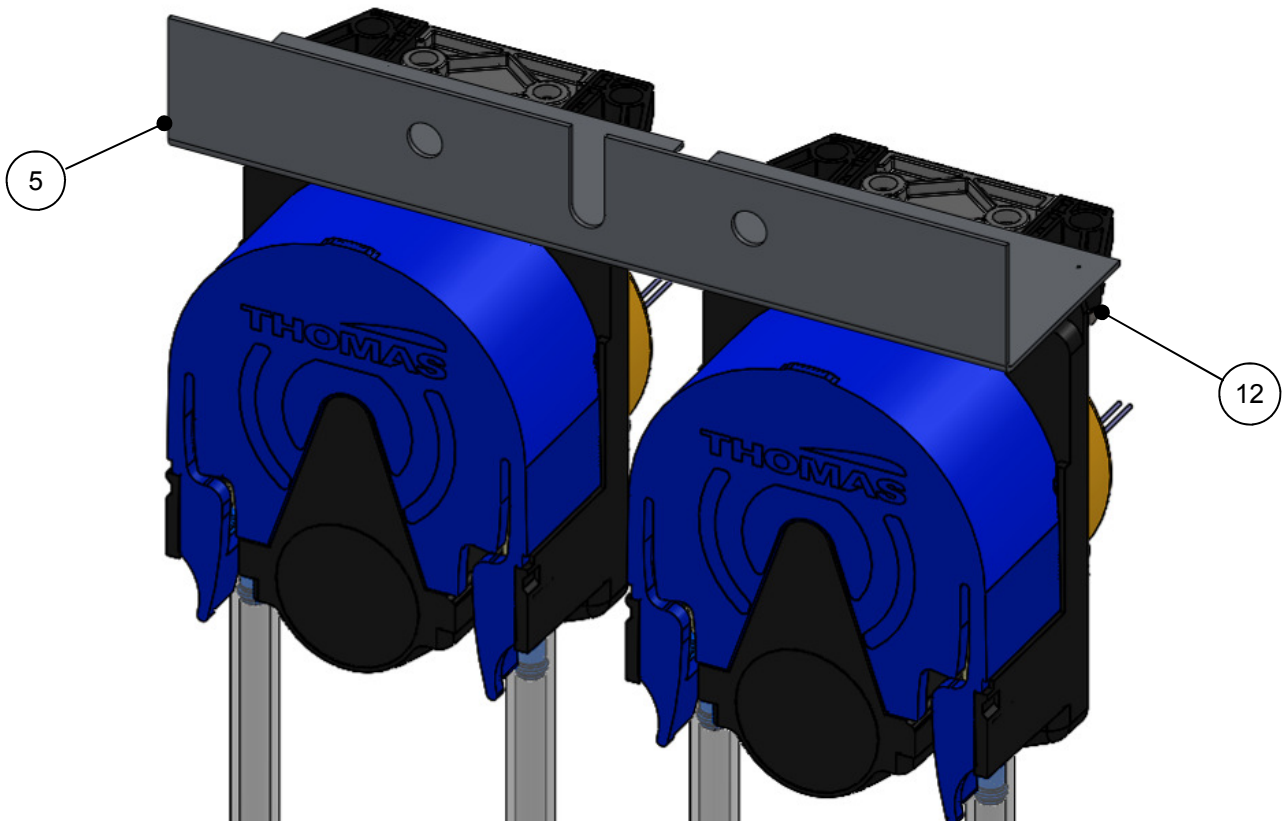
Item	Description	Part no.	Qty	Note
1	Wash & waste outlet	240.0002	1	
2	O-ring seal - Ø3mm x Ø47mm	300.3047	1	
3	Hose - Drain pump inlet	408.0001	1	
4	Drain pump	DP2	1	
5	Hose - Drain pump outlet	60004004	1	
6	Jubilee clip - Ø30mm to Ø45mm	JCLIP-030-045	2	
7	Jubilee clip -Ø20mm to Ø32mm	JCLIP-020-032	1	
8	M5 nut - Flange	FNUT-05	4	
9	Drain Air brake Nut	60003587	1	
10	Jubilee Clip - Ø12mm to Ø22mm	JCLIP-012-022	3	
11	Drain Air Brake	60003586	1	
12	Hose	409.0002	0.53M	
13	Drain Outlet	60003399	1	
14	Drain Hose	408.0003	1	(Not shown)
15	Ball	2801508	1	

Machine type	Assembly description	Assembly part no.
All models	Detergent Pump Assembly	052.2622
All models	Rinse Aid Pump Assembly	052.2623

1 DETERGENT / RINSE AID PUMP



PUMP BRACKET



Eco3, Hydro700, Hydro 750, Duo3 and Duo750

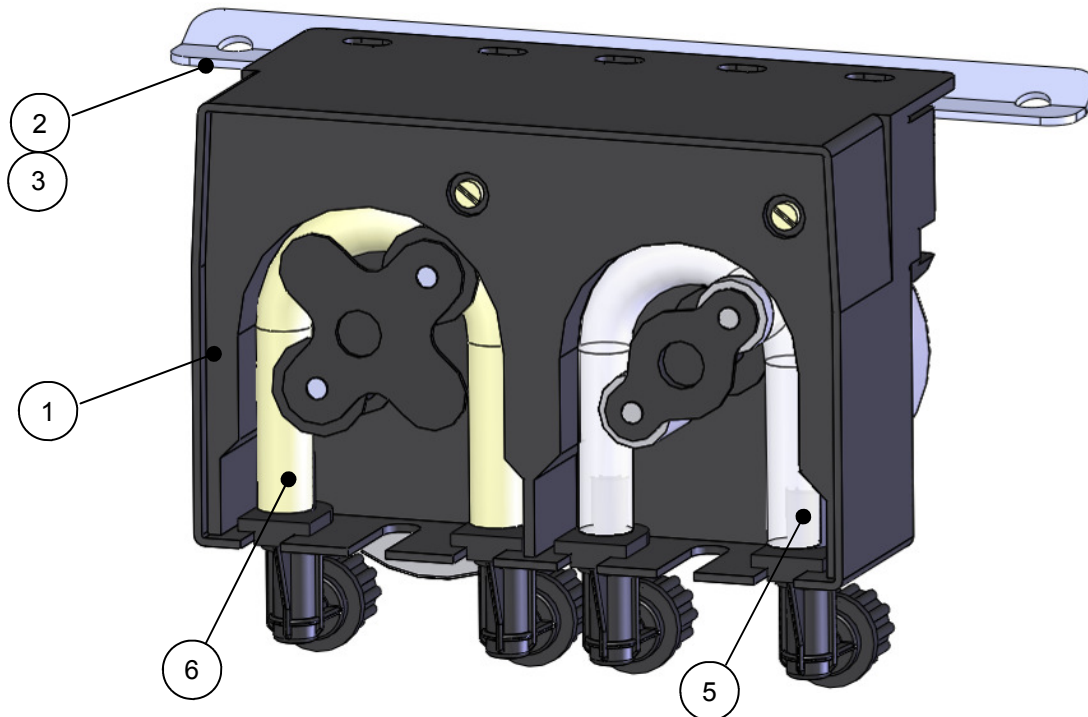


Chemical pumps - Serial numbers prior to #####-0942

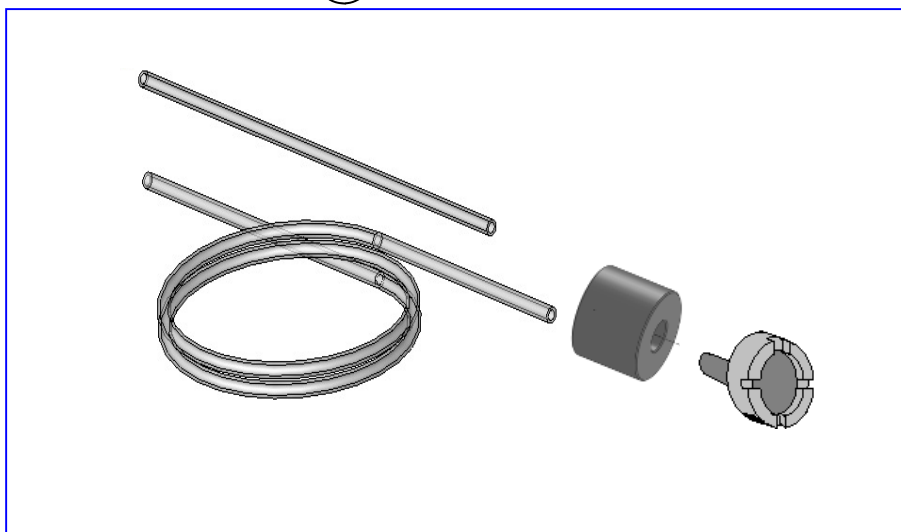
Item	Description	Part no.	Qty	Note
1	Detergent Pump	526.0008	1	Complete pump without pipes
2	Rinse Aid pump	526.0007	1	Complete pump without pipes
3	Pump body	052.2619	2	1 per pump
4	Peristaltic tube	052.2621	1	Detergent pump only
		052.2618	1	Rinse aid pump only
5	Chemical Pump Bracket	160.0011	1	
6	Plastic pump cover	052.2617	2	1 per pump
7	Pump Mounting clip	056.2620	2	1 per pump
8	Chemical tube	RT2	4m	
9	Bottle Weights	100.0012	2	
10	Cable Tie	CT-06	6	Not Shown
11	Bottle weight tube connector	332.0001	2	
12	M3 Flange Nuts	FNUT - 03	4	

Machine type	Assembly description
All models	Double Pump Assembly

DETERGENT / RINSE AID PUMP



Bottle Weight Kit (4)



Eco3, Hydro700, Hydro 750, Duo3 and Duo750



Chemical pumps - Serial numbers after #####-0942

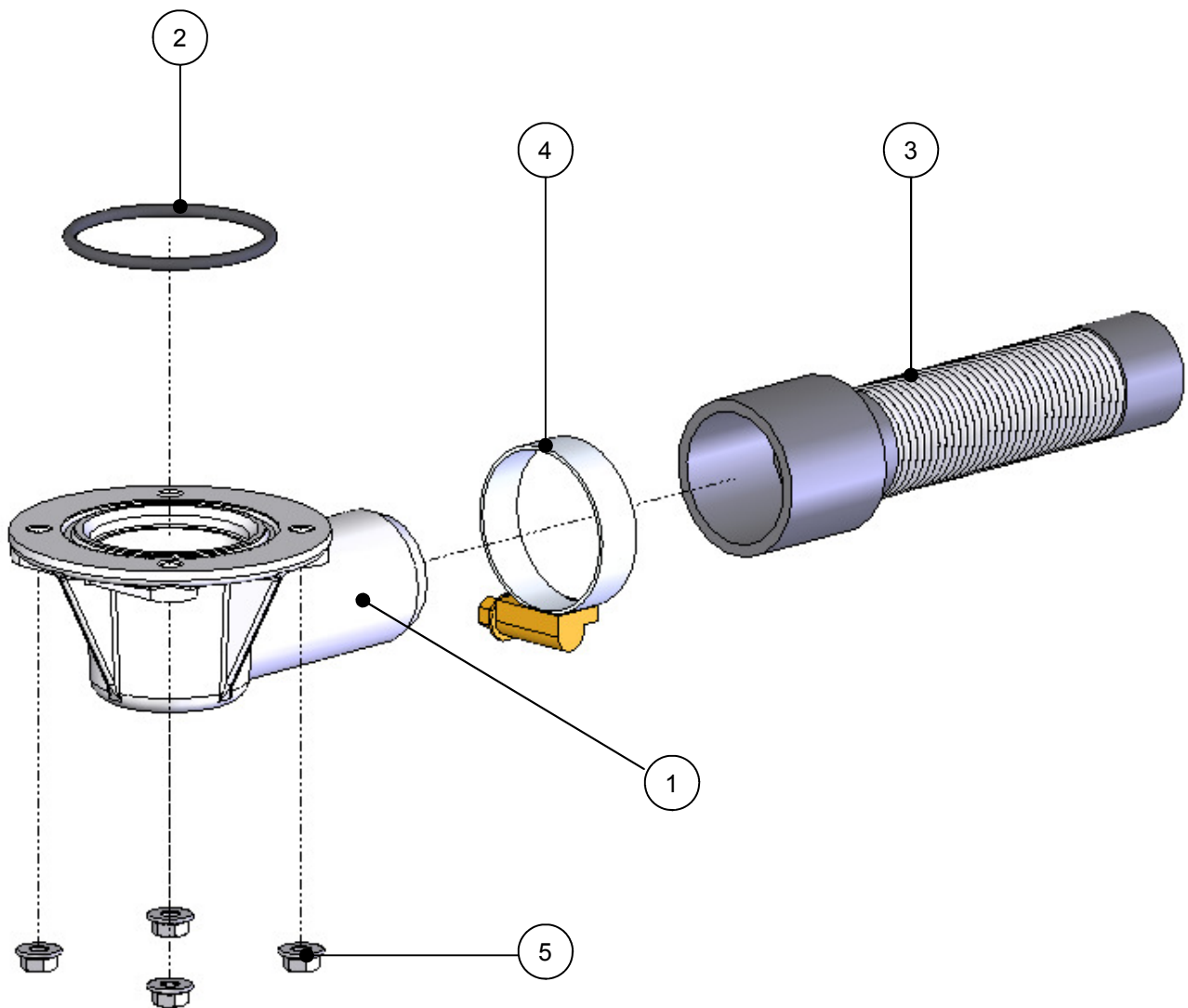
Item	Description	Part no.	Qty	Note
1	Detergent & Rinse Aid Combined Pump	526.0010	1	Complete pump without pipes
	Detergent pump only	526.0008		Alternative to double pump 526.0010
	Rinse aid pump only	526.0007		Alternative to double pump 526.0010
2	Chemical Pump Bracket	160.0011	1	
3	M5 Wing Nut	WNUT - 05	2	Not Shown
4	Bottle Weights - Rinse Aid	526.0013	1	Blue Tube
	Bottle Weights - Detergent	526.0012	1	Clear Tube
5	Spare Rinse Aid Tube	052.2632	1	Comes with R/A tube connector
6	Spare Detergent Tube	052.2631	1	Comes with R/A tube connector

Gravity drain models only



Gravity drain kit

Machine type	Assembly description	Assembly part no.
Gravity drain models only	Gravity drain kit	052.2401



Gravity drain models only

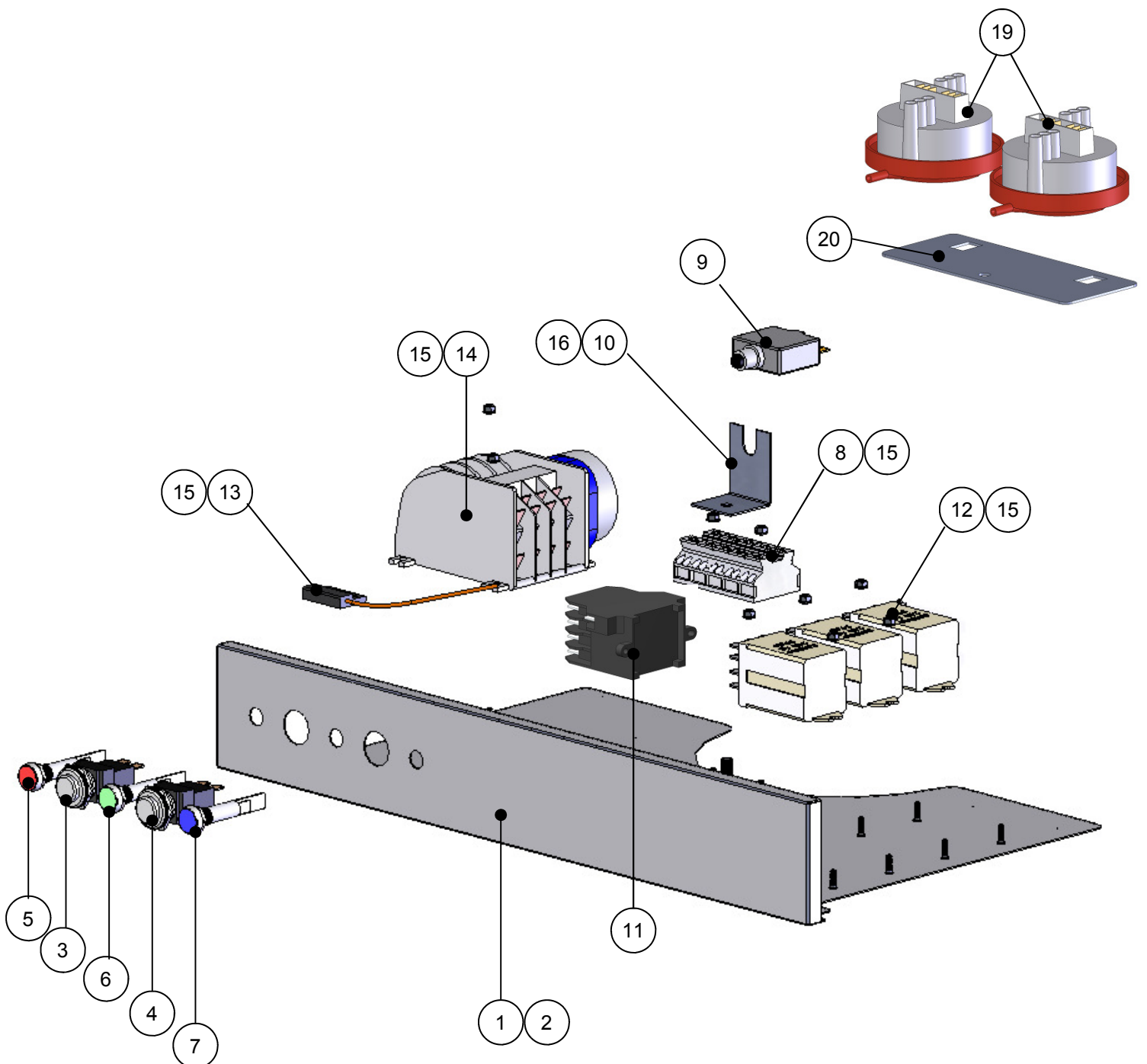


Gravity drain kit

Item	Description	Part no.	Qty	Note
1	Wash & waste outlet	240.0002	1	
2	O-ring seal - Ø3mm x Ø47mm	300.3047	1	
3	Hose - Gravity drain	408.0002	1	
4	Jubilee clip - Ø30mm to Ø45mm	JCLIP-030-045	1	
5	M5 nut - Flange	FNUT-05	4	

Component tray

Machine type	Assembly description	Assembly part no.
Eco 3	Component tray assembly	014.0021
Hydro 700	Component tray assembly	014.0022
Hydro 750	Component tray assembly	014.0023
Duo 3	Component tray assembly	014.0024
Duo 750	Component tray assembly	014.0025

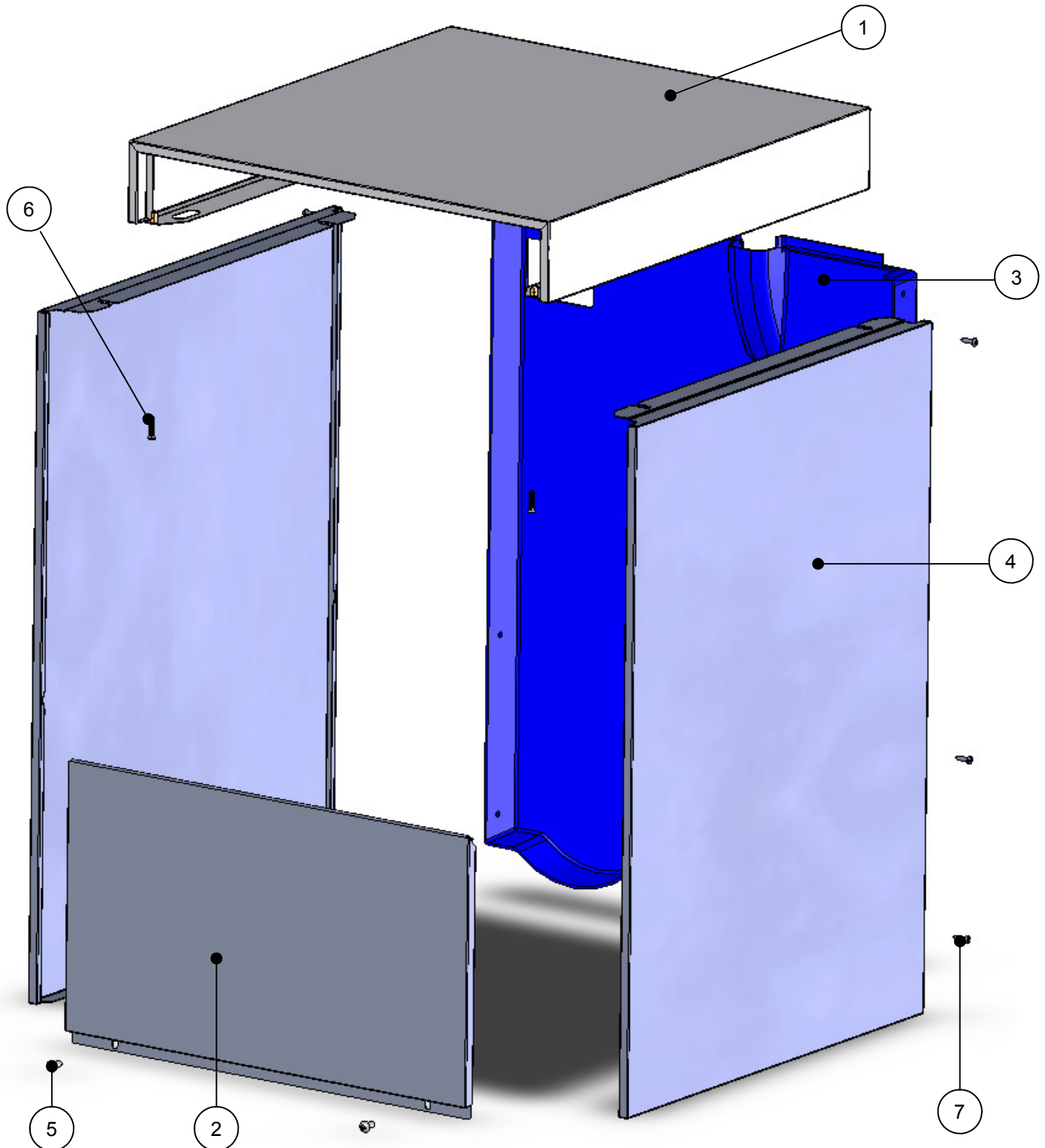


Component tray

Item	Description	Part no.	Qty	Note
1	Component tray - Single skin	140.0003	1	Only for Eco3, Hydro700 & Hydro 750
	Component tray - Double skin	140.0004		Only for Duo3 & Duo750
2	Fascia label - Eco 3	FASC E306P	1	Only for Eco 3 (pumped drain)
	Fascia label - Hydro 700	FASC H706P		Only for Hydro 700 (pumped drain)
	Fascia label - Hydro 750	FASC H756P		Only for Hydro 750 (pumped drain)
	Fascia label - Duo 3	FASC D306		Only for Duo 3
	Fascia label - Duo 750	FASC D756		Only for Duo 750
	Fascia label - Hydro 751 (Gilde)	FASC H756(GILDE)		Only for Hydro 751 (Gilde)
3	On / Off switch	500.0001	1	
4	Cycle switch	501.0001	1	
5	Indicator lamp - Red	505.0001	1	
6	Indicator lamp - Green	505.0002	1	
7	Indicator lamp - Blue	505.0004	1	
8	Terminal block	7.12.70	1	
9	Circuit breaker - 15 amp	TCB-04	1	
10	Bracket - Circuit breaker	164.0001	1	
11	Contactor – 4 pole - 3NO - 1NC	CONT/4	1	20, 30 amp & 3 phase machines
			0	13 & 15 amp machines
12	Contactor - 3 pole changeover	CONT/30	3	
13	Door switch	570.0001	1	
14	Cycle timer - 2 minute	560.4120	1	ECO3 and DUO3
	Cycle timer - 3 minute	560.4180		H700, H750 and DUO750
15	M3 nut - Flange	FNUT-03	14	
16	M5 nut - Flange	FNUT-05	2	
17	Wiring harness (not shown)	LM-P2-13A	1	H700 only
	Wiring harness (not shown)	LM-P2-30A		ECO3, H750, DUO3 and DUO750
18	Mains cable - 13 amps + UK plug	7.12.10/PAC	1	H700 Only (Not shown)
	Mains cable - 30 amp single phase	7.12.10/3	2.5M	ECO3, H750, DUO3 and DUO750
	Mains cable - 30 amp 3 phase	7.12.10/5	2.5M	(Not shown)
19	Air pressure switch	530.0001	1	2 required on Duo3 & Duo750
20	Bracket - Air pressure Switch	102.0003	1	

Panel kit - 500mm Single skin

Machine type	Assembly description	Assembly part no.
Eco3, Hydro 700 & Hydro 750	Panel kit - 500mm Single skin	015.0003
Duo3 & Duo750	Panel kit - 500mm Double skin	015.0004



Panel kit - 500mm Single skin

Item	Description	Part no.	Qty	Note
1	Panel - Top single skin	154.0003	1	Only for Eco3, Hydro700 & Hydro 750
	Panel - Top double skin	154.0004		Only for Duo3 & Duo750
2	Panel - Front lower	153.0002	1	
3	Panel - Rear - Metal	150.0004	1	
	Panel - Rear - Plastic	250.0002		
4	Side panels	151.0002	2	Only for Duo3 & Duo750
5	M6 x 12mm long—Button head screw	SC1001	2	
6	M4 x 20mm long - Counter sunk screw	SC102	2	
7	No. 6 x 3/8" Pozi Pan Head Screw	7.2.40/1	6	
8	Bracket—Rear panel	163.0001	2	
9	Bracket - Cabinet to base	163.0003	2	
10	M5 nut - Flange	FNUT-05	6	
11	M4 - Self tapping clip	7.2.4/1	6	Not shown (used to hold back panel to base and cabinet)
12	Label - Stand pipe (Drain pump)		1	Only for drain pump m/c's (not shown)
	Label - Stand pipe (Gravity)			Only for gravity drain m/c's (not shown)

Packing kit

Machine type	Assembly description	Assembly part no.
Eco 3 & Duo 3	Packing kit - 500mm glasswasher	002.0003
Hydro 700, 750 & Duo 750	Packing kit - 500mm dishwasher	002.0004

Item	Description	Part no.	Qty	Note
1	Grey rigid tube	7.7.21/4A	2	
2	Water supply hose	7.8.14	1	
	Water supply hose (WRAS approved)	7.8.14X		
3	Basket (glass) - 500mm ²	700GBP	2	Only for Eco 3 & Duo 3
			1	Only for Hydro700, Hydro750 & Duo750
4	Basket (dish) - 500mm ²	700DRP	1	Only for Hydro700, Hydro750 & Duo750
5	Basket (cutlery) - 500mm ²	CBP	1	Only for Hydro700, Hydro750 & Duo750
6	Manual - Operators & installation	902.0011	1	English version
7	Your essential pre-install check list	INS-01	1	English version
8	Good practice guide	INS-04	1	English version
9	Your final installation check list	INS-05	1	English version



ClassEq is a trading name of
Classic Glass & Dishwashing Systems Ltd.

Revision	Pages changed	Description	Date
A		New Manual	28/07/2008
B	30 & 31	Chemical pump Brkt - Bottle Weights	25/11/2008
C	32 & 33	Chemical Pumps - New Version Added	22/04/2010

Classic Glass & Dishwashing Systems Ltd

Winterhalter House
Roebuck Way
Knowlhill
Milton Keynes
MK5 8WH



Spares department

0870 224 7286

Service department

01908 359059



0870 224 7287

01908 359075



spares@classeq.co.uk

service@classeq.co.uk